

CREA COLLECTION

Floor lamp



241-GK-11

3 LIGHTS TYPE E27
 MAX 105W

Central structures of 3D designed panels in solid brass.

FINISH

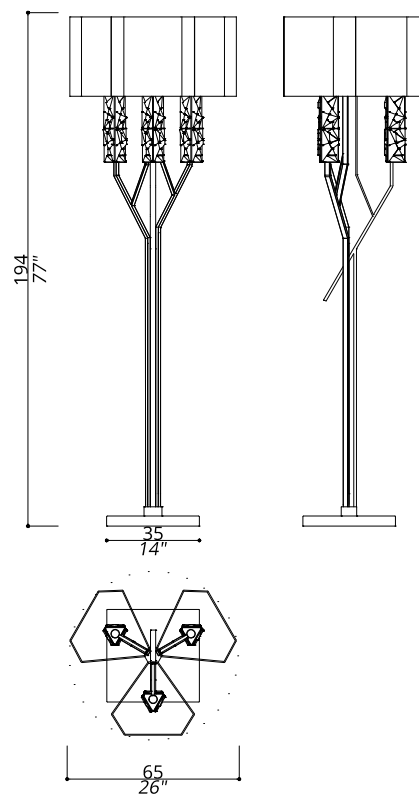
Structure in L_56 (black matte finish); tiles in F_15 (satin gold finish); details in F_14 (polished gold finish). Metal base.

SHADE DIMENSIONS

W.33 x D.33 x H.32 cm

SHADE FABRIC

TS11 (alabaster shantung) and ivory crepon plissé



NOTES

Dimensions are expressed in centimetres, if not otherwise specified.
 All products may be customized subject to prior consulting with our technical department; please send your request to info@officina-luce.it.
 Officina Luce (Registered brand of ISSARCH srl) reserves the right to change or delete, at any time and without prior warning, the technical specification of any model or the model itself, depending on technical and commercial requirements.